



INVISIA  
LIVE BEAUTIFULLY



SAFETY YOU'LL NOTICE, BUT NOT SEE.







BEAUTIFUL  
PEACE OF  
MIND

- Our Design Approach ..... 2
- Our Commitment..... 2
- Accent Ring ..... 3
- Corner Shelf..... 4
- Towel Bar..... 5
- Soap Dish ..... 6
- Toilet Roll Holder ..... 7
- Shampoo Shelf ..... 8
- Accent Bar..... 9
- Linear Bar ..... 10
- SerenaSeat ..... 12
- Corner Seat ..... 14
- Bath Bench..... 15
- Shower Bench ..... 16
- Finishes and Stains ..... 17

## OUR DESIGN APPROACH

AT INVISIA, WE BELIEVE THE BATHROOM SHOULD BE A BEAUTIFUL, PEACEFUL, AND CALMING PLACE. A PLACE WHERE YOU CAN RELAX AFTER A LONG DAY AND FORGET ABOUT YOUR WORRIES. WE ALSO BELIEVE THAT THE BATHROOM SHOULD BE A SAFE PLACE.

EVERYTHING WE DESIGN AND MANUFACTURE IS INSPIRED BY THE IDEA THAT STYLE AND SAFETY ARE NOT MUTUALLY EXCLUSIVE. SOMETHING THAT'S ELEGANT CAN ALSO BE FUNCTIONAL. SOMETHING THAT'S BEAUTIFUL CAN ALSO PROVIDE SECURITY. SOMETHING STUNNING CAN BE SAFE.

INVISIA PRODUCTS GET NOTICED. MOST PEOPLE JUST DON'T REALIZE HOW SAFE THEY ARE.

## OUR COMMITMENT

We think that people shouldn't have to choose between a beautiful bathroom and a safe bathroom. That's why we're committed to designing and manufacturing bathroom accessories that blend style and safety. So you can have peace of mind without sacrificing your design aesthetic.

# ACCENT RING

A beautiful addition to any bathroom, the Accent Ring elegantly frames your shower valve while providing unparalleled support.



**SUPPORTS UP TO  
500LBS / 227KGS**

Exceeds ADA guideline 4.26.3



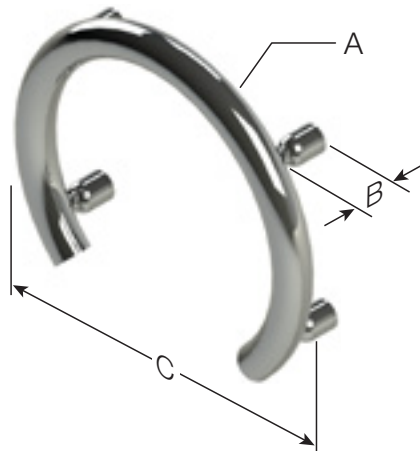
**DISCREET WALL STEMS WITH  
CONCEALED SCREWS**

Makes mounting areas virtually invisible



**MULTI-CONTACT WALL SUPPORT**

4 points of contact for maximum structural support



A =  $\text{Ø}1.25'' / 31.8\text{mm}$

B =  $1.50'' / 38.1\text{mm}$

C =  $\text{Ø}12'' / 305\text{mm}$

Exceeds ADA 4.26.3 structural strength requirements for grab bars and fasteners (250lbs/113kgs)



# CORNER SHELF

You can never have too much shelf space in the shower, especially when it looks this good. The Corner Shelf incorporates a solid support bar for added assistance. It also features a removable tray for easy cleaning.



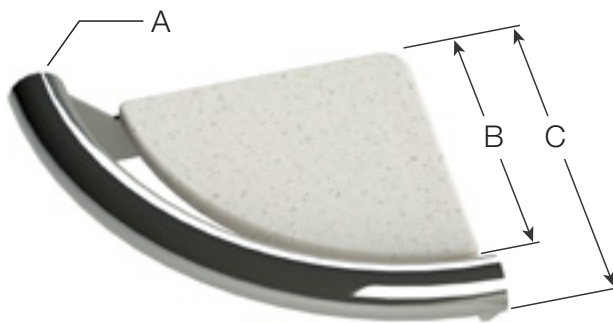
**SUPPORTS UP TO  
500LBS / 227KGS**  
Exceeds ADA guideline 4.26.3



**PLASTIC CAPS CONCEAL  
MOUNTING SCREWS**  
Makes mounting areas virtually invisible



**MULTI-CONTACT WALL SUPPORT**  
4 points of contact for maximum  
structural support

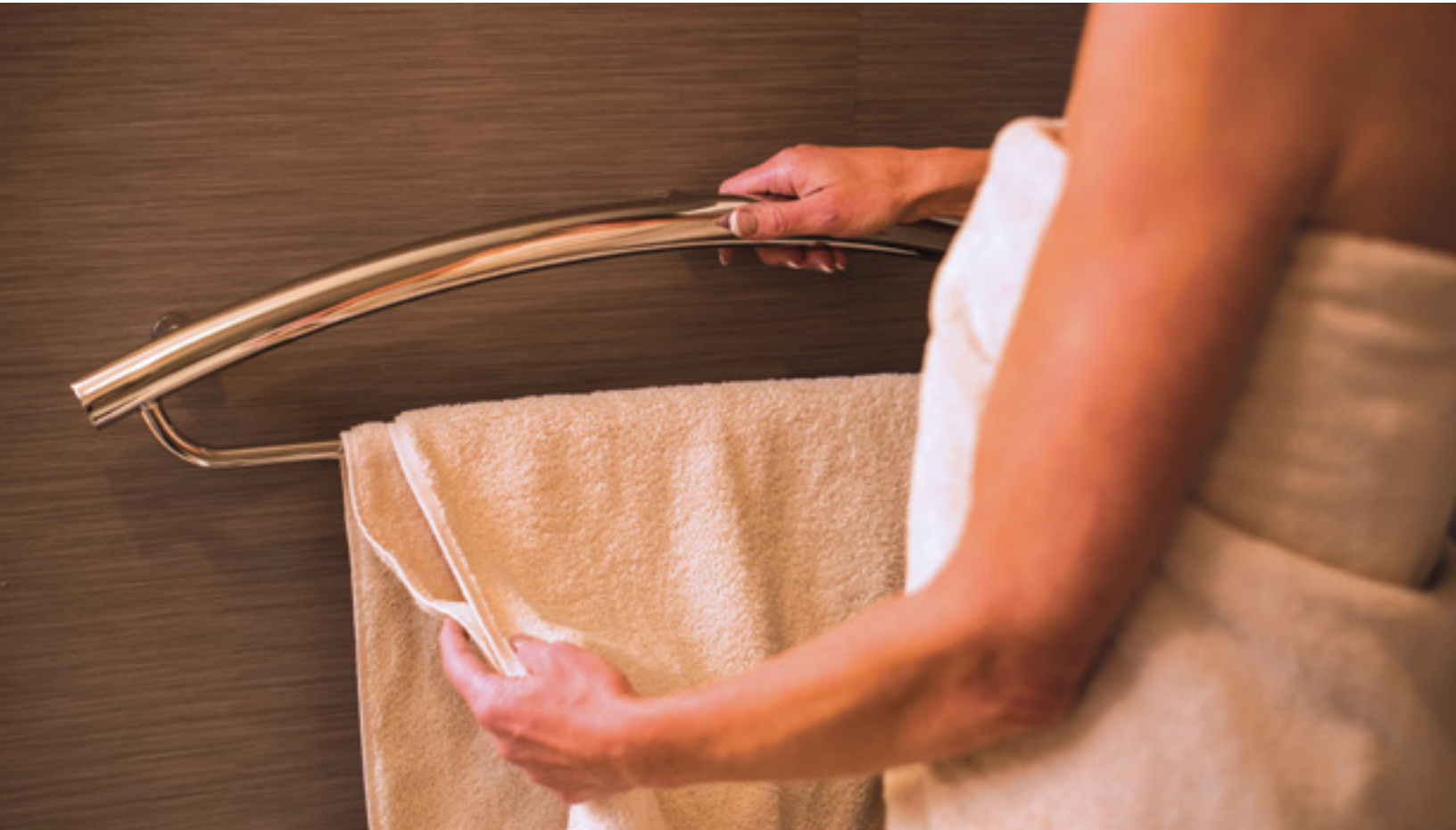


A =  $\text{Ø}1.25'' / 31.8\text{mm}$   
B =  $9'' / 229\text{mm}$   
C =  $6.375'' / 162\text{mm}$

Exceeds ADA 4.26.3 structural strength  
requirements for grab bars and fasteners  
(250lbs/113kgs)

# TOWEL BAR

The sleek Towel Bar gives any bathroom a modern look while providing a secure bar to hold onto when drying off.



**SUPPORTS UP TO  
500LBS / 227KGS**  
Exceeds ADA guideline 4.26.3



**DISCREET WALL STEMS WITH  
CONCEALED SCREWS**  
Makes mounting areas virtually invisible



**MULTI-CONTACT WALL SUPPORT**  
3 points of contact for maximum  
structural support



A =  $\text{Ø}1.25'' / 31.8\text{mm}$   
B =  $1.50'' / 38.1\text{mm}$   
C =  $20.75''$  or  $29.25'' / 527\text{mm}$  or  $743\text{mm}$   
D =  $16''$  or  $24'' / 406\text{mm}$  or  $610\text{mm}$

Exceeds ADA 4.26.3 structural strength  
requirements for grab bars and fasteners  
(250lbs/113kgs)

# SOAP DISH

The perfect place to store your soap also offers just the right amount of assistance. It also features a removable soap tray for easy cleaning.



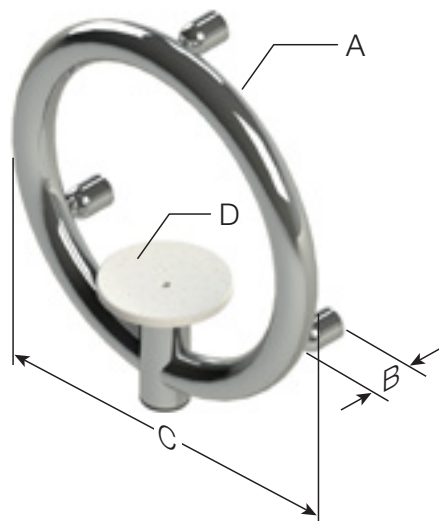
**SUPPORTS UP TO  
500LBS / 227KGS**  
Exceeds ADA guideline 4.26.3



**DISCREET WALL STEMS WITH  
CONCEALED SCREWS**  
Makes mounting areas virtually invisible



**MULTI-CONTACT WALL SUPPORT**  
3 points of contact for maximum  
structural support



A =  $\text{Ø}1.25'' / 31.8\text{mm}$

B =  $1.50'' / 38.1\text{mm}$

C =  $\text{Ø}12'' / 305\text{mm}$

D =  $\text{Ø}4'' / 102\text{mm}$

Exceeds ADA 4.26.3 structural strength  
requirements for grab bars and fasteners  
(250lbs/113kgs)



# TOILET ROLL HOLDER

A stunning addition to any bathroom that offers discreet support for sitting down on and getting up from the toilet.



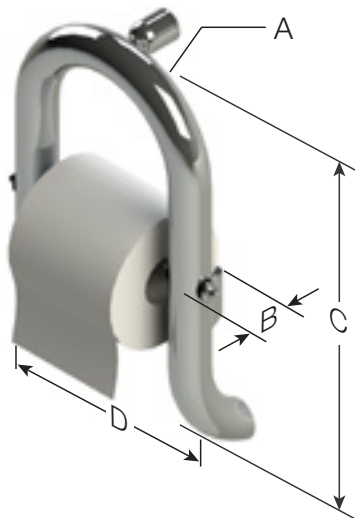
**SUPPORTS UP TO  
500LBS / 227KGS**  
Exceeds ADA guideline 4.26.3



**DISCREET WALL STEMS WITH  
CONCEALED SCREWS**  
Makes mounting areas virtually invisible



**MULTI-CONTACT WALL SUPPORT**  
4 points of contact for maximum  
structural support



A =  $\text{Ø}1.25'' / 31.8\text{mm}$

B =  $1.50'' / 38.1\text{mm}$

C =  $13.125'' / 333\text{mm}$

D =  $7.25'' / 184\text{mm}$

Exceeds ADA 4.26.3 structural strength  
requirements for grab bars and fasteners  
(250lbs/113kgs)

# SHAMPOO SHELF

Store your shampoo bottles on a sophisticated shelf that incorporates a support bar to provide peace of mind. It also features a removable tray for easy cleaning.



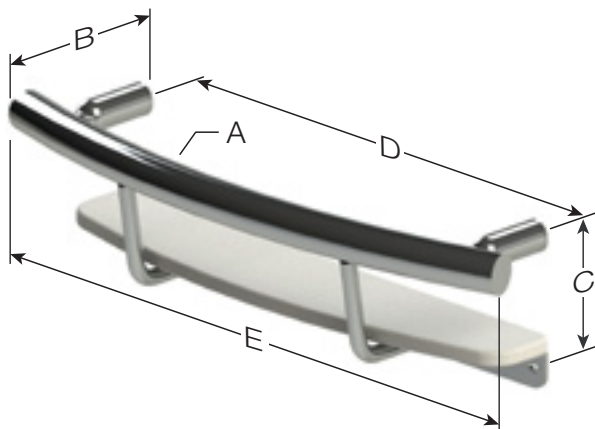
**SUPPORTS UP TO  
500LBS / 227KGS**  
Exceeds ADA guideline 4.26.3



**DISCREET WALL STEMS WITH  
CONCEALED SCREWS**  
Makes mounting areas virtually invisible



**MULTI-CONTACT WALL SUPPORT**  
4 points of contact for maximum  
structural support



A =  $\varnothing$ 1.25" / 31.8mm  
B = 5.0" / 127mm  
C = 5.5" / 140mm  
D = 16" / 406mm  
E = 19.75" / 502mm

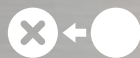
Exceeds ADA 4.26.3 structural strength  
requirements for grab bars and fasteners  
(250lbs/113kgs)

# ACCENT BAR

A bold, stylish way to breathe new life into any bathroom, our Accent Bar can be placed wherever support is needed.



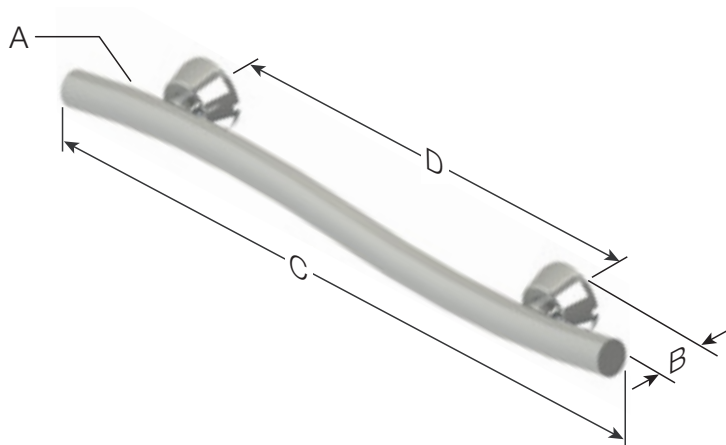
**SUPPORTS UP TO  
500LBS / 227KGS**  
Exceeds ADA guideline 4.26.3



**FLANGE COVER CONCEALS  
MOUNTING SCREWS**  
Makes mounting areas virtually invisible



**VERSATILE INSTALLATION**  
Horizontal, vertical or angled



A =  $\text{Ø}1.25'' / 31.8\text{mm}$   
B =  $1.50'' / 38.1\text{mm}$   
C =  $24'' / 610\text{mm}$   
D =  $16'' / 406\text{mm}$

Exceeds ADA 4.26.3 structural strength requirements for grab bars and fasteners (250lbs/113kgs)



# LINEAR BAR

A simple and clean way to add support without compromising the beauty of the space. Install vertically, horizontally or on a diagonal.



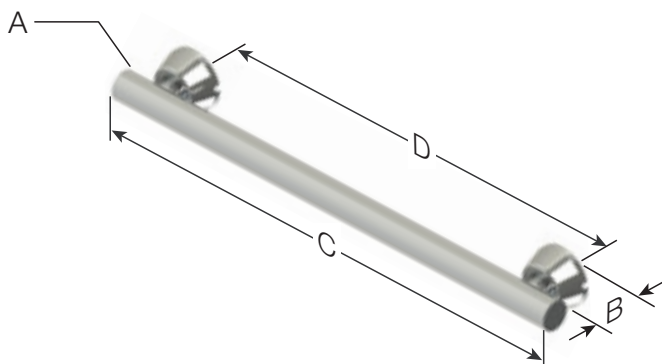
**SUPPORTS UP TO  
500LBS / 227KGS**  
Exceeds ADA guideline 4.26.3



**FLANGE COVER CONCEALS  
MOUNTING SCREWS**  
Makes mounting areas virtually invisible



**VERSATILE INSTALLATION**  
Horizontal, vertical or angled



A =  $\text{Ø}1.25'' / 31.8\text{mm}$

B =  $1.50'' / 38.1\text{mm}$

C =  $12'', 18'' \text{ or } 24'' / 305\text{mm}, 457\text{mm} \text{ or } 610\text{mm}$

D =  $8.75'', 14.75'' \text{ or } 20.75'' / 222\text{mm}, 375\text{mm}, 527\text{mm}$

Exceeds ADA 4.26.3 structural strength requirements  
for grab bars and fasteners (250lbs/113kgs)

A photograph of a woman with long, dark, wet hair in a shower. She is looking upwards and to the right, with her hand resting on her neck. Water is spraying from a showerhead above her. The background is dark, possibly a shower wall. The text 'WHERE ELEGANCE MEETS FUNCTIONALITY' is overlaid in white, uppercase letters on the left side of the image.

WHERE  
ELEGANCE  
MEETS  
FUNCTIONALITY

# SERENASEAT

Inspired by the spa, this beautiful seat provides an area for rest and relaxation. Can easily fold up against the wall when not in use.



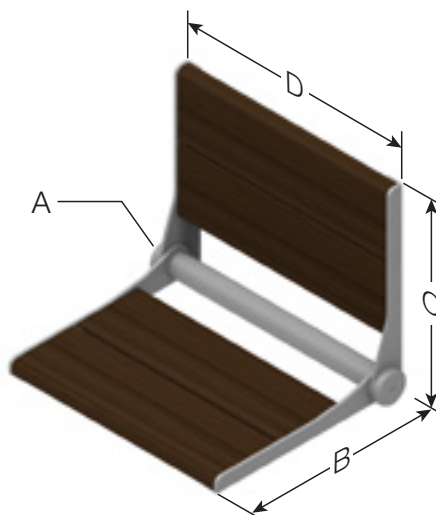
**SUPPORTS UP TO  
500LBS / 227KGS**  
Exceeds ADA guideline 4.26.3



**SEAT WIDTHS**  
18", 26" or 32" (ADA)  
457mm, 660mm or 813mm (ADA)



**BAMBOO SEAT**  
Sustainable, hypoallergenic and naturally resistant to moisture, temperature and bacteria.



A = Ø3.0" / 31.8mm  
B = 15.75" / 400mm  
C = 15.50" / 394mm  
D = 18" or 26" / 457mm or 660mm

Exceeds ADA 4.26.3 structural strength requirements for shower seats and fasteners (250lbs/113kgs)





# CORNER SEAT

Add a little luxury to your shower with our elegant Corner Seat that provides a solid surface to sit on while contributing to a peaceful bathroom environment.



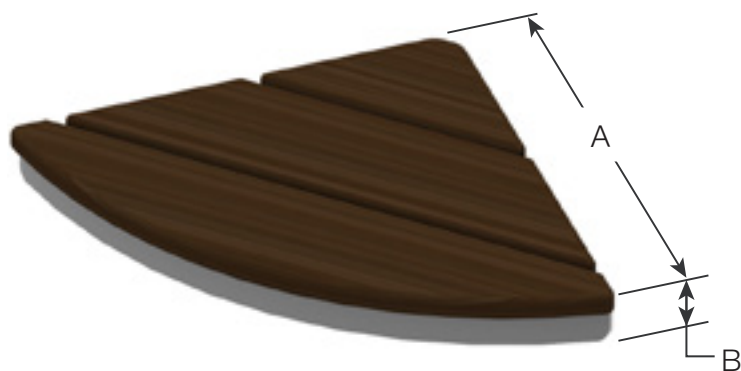
**SUPPORTS UP TO  
500LBS / 227KGS**  
Exceeds ADA guideline 4.26.3



**SIZE**  
18" / 457mm  
radius



**BAMBOO SEAT**  
Sustainable, hypoallergenic and naturally resistant  
to moisture, temperature and bacteria.



A = 18" / 457mm  
B = 2.25" / 57mm

Exceeds ADA 4.26.3 structural strength  
requirements for shower seats and fasteners  
(250lbs/113kgs)



# BATH BENCH

The perfect place to put a glass of wine and a good book also doubles as a seating surface. Can easily be removed and stored out of the way.



**SUPPORTS UP TO  
500LBS / 227KGS**

Exceeds ADA guideline 4.26.3



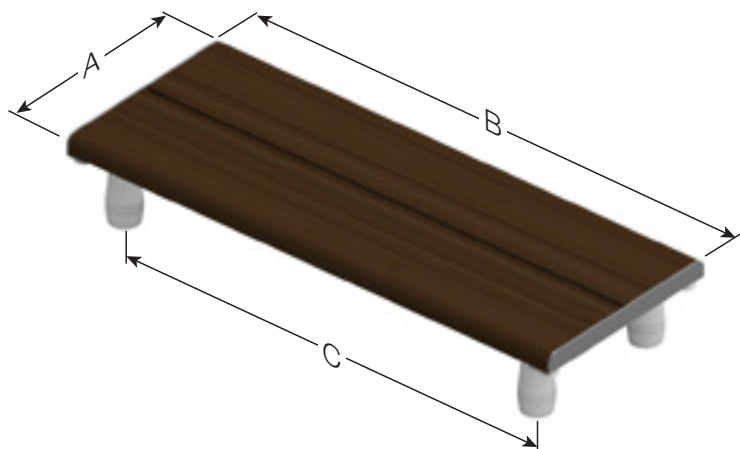
**SEAT WIDTH**

30" or 35" / 762mm or 889mm  
Custom widths available.



**BAMBOO SEAT**

Sustainable, hypoallergenic and naturally resistant to moisture, temperature and bacteria.



A = 11" / 31.8mm

B = 30 or 35" / 762 or 889mm

Exceeds ADA 4.26.3 structural strength requirements for shower seats and fasteners (250lbs/113kgs)



# SHOWER BENCH

An elegant free standing bench with clean lines that provides a luxurious focal design suited for any bathroom – a perfect resting place to enjoy a spa like experience.



**SUPPORTS UP TO  
500LBS / 227KGS**

Exceeds ADA guideline 4.26.3



**SEAT WIDTH**

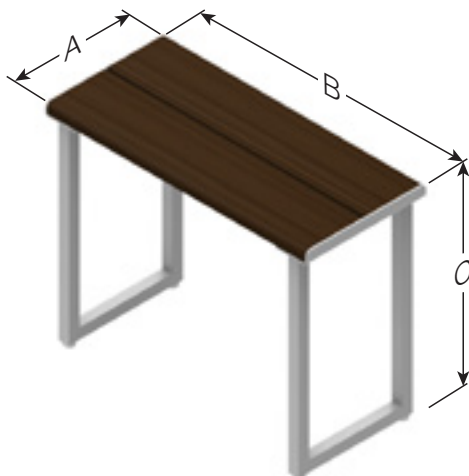
24" / 610mm

Custom widths available.



**BAMBOO SEAT**

Sustainable, hypoallergenic and naturally resistant to moisture, temperature and bacteria.



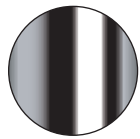
A = Ø3.0" / 31.8mm

B = 24" / 610mm

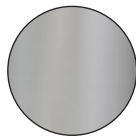
C = 19" / 483mm

Exceeds ADA 4.26.3 structural strength requirements for shower seats and fasteners (250lbs/113kgs)

## METAL FINISHES



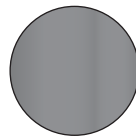
Polished  
Chrome



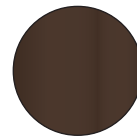
Brushed  
Stainless



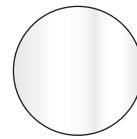
Matte  
Black



Matte  
Grey

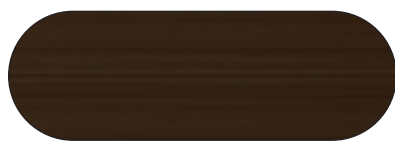


Oil Rubbed  
Bronze

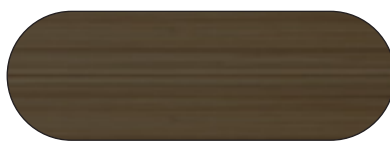


Matte  
White

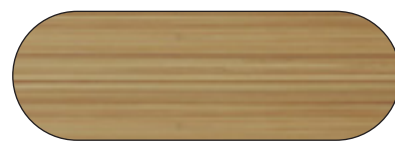
## BAMBOO STAINS



Walnut



Ash



Natural

### WARRANTY

All Invisia™ Collection products are covered by a one year limited. Buyer hereby indemnifies, agrees to hold harmless and defend the manufacturer/distributor of the Invisia™ Collection from and against any and all liabilities, claims, (founded and unfounded), losses, damages, costs and expenses (including without limitation consequential damages and reasonable professional fees) resulting from buyers specification, application, or improper use of goods described hereon; buyers omission or neglect. The manufacturer/ distributor of the Invisia™ Collection does not assume any liability for damage resulting from services performed by others or faulty installation, misuse or misapplication of goods. The manufacturer/ distributor of the Invisia™ Collection shall not be liable for prospective profits or special, indirect, or consequential damages, or for the cost of any corrective work done without prior approval. Manufacturer/ distributor of the Invisia™ Collection total liability hereunder shall in no event exceed the purchase price of the goods specified hereon.

### BAMBOO

To retain the natural beauty of bamboo, each slat is finished with an extremely durable 2 part natural oil finish that does not contain volatile organic compounds (VOCs) or other harmful chemicals. While uncommon, water discoloration may be noticed when exposed to the wood and this is due to the natural oils in the wood reacting with minerals present in certain types of water (referred to as leaching). The applied oil finish reduces the effects of this natural discoloration and it should fade over time, but wipe down after use if discoloration is observed. No two seats are exactly alike and indentations, slight cracks and color variations are to be expected. **WOOD CONTACT SENSITIVITY:** Sensitivity to bamboo is uncommon but some people may experience skin irritation. Test if unsure.

All designs & specifications subject to change without notice.



**INVISIA**  
LIVE BEAUTIFULLY



670 Joseph-Louis-Mathieu St.  
Sherbrooke QC J1R 0X3

**T. 1 877 563-5777**  
[info@ibiom.com](mailto:info@ibiom.com)  
[www.ibiom.com](http://www.ibiom.com)

